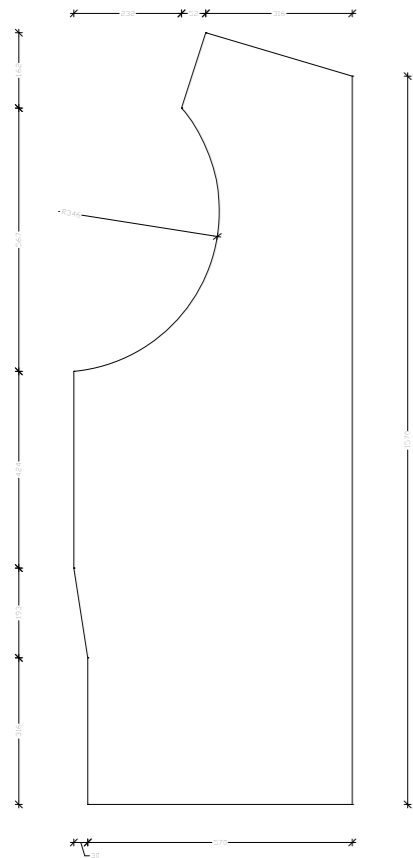
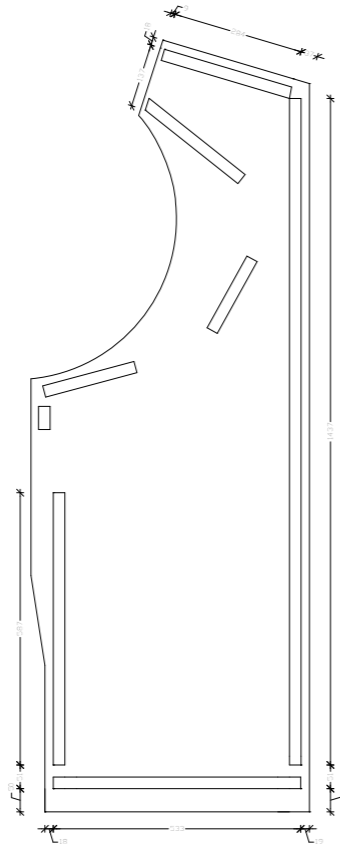


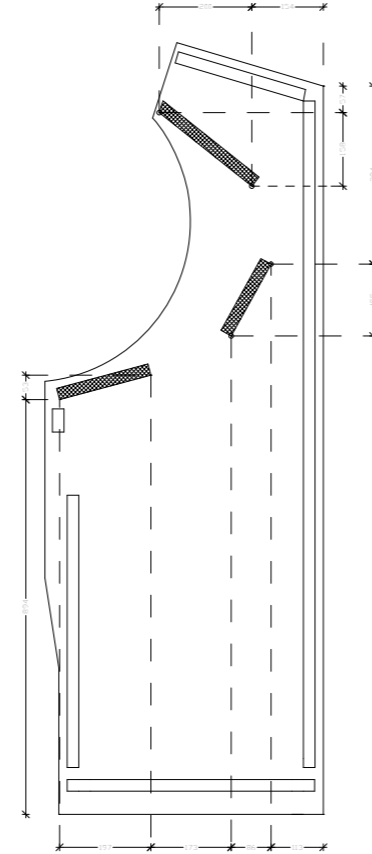
16mm MDF cutting



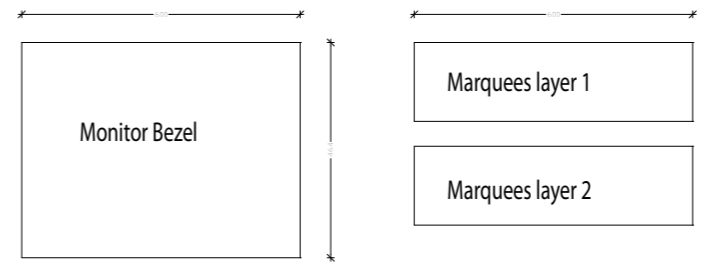
Moulding plan 1



Moulding plan 2
 Monitor, CP and speaker panel moulding



Plexiglas or Lexan 3 or 4 mm



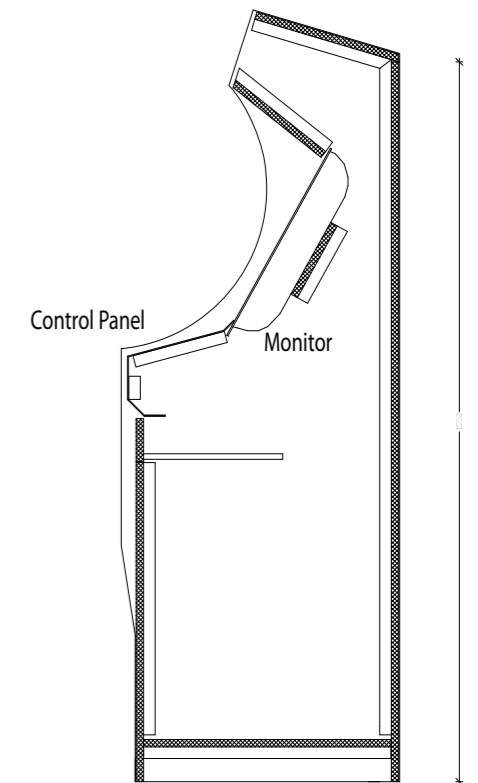
Notes

Place moulding around 19mm from the edges.

Remember to use glue when you mount the panels and the mouldings.

Monitor: 19-21" 4:3 format or
 17-24" widescreen 16:9 - 16:10

Panel layout plan



12-16mm MDF panels

