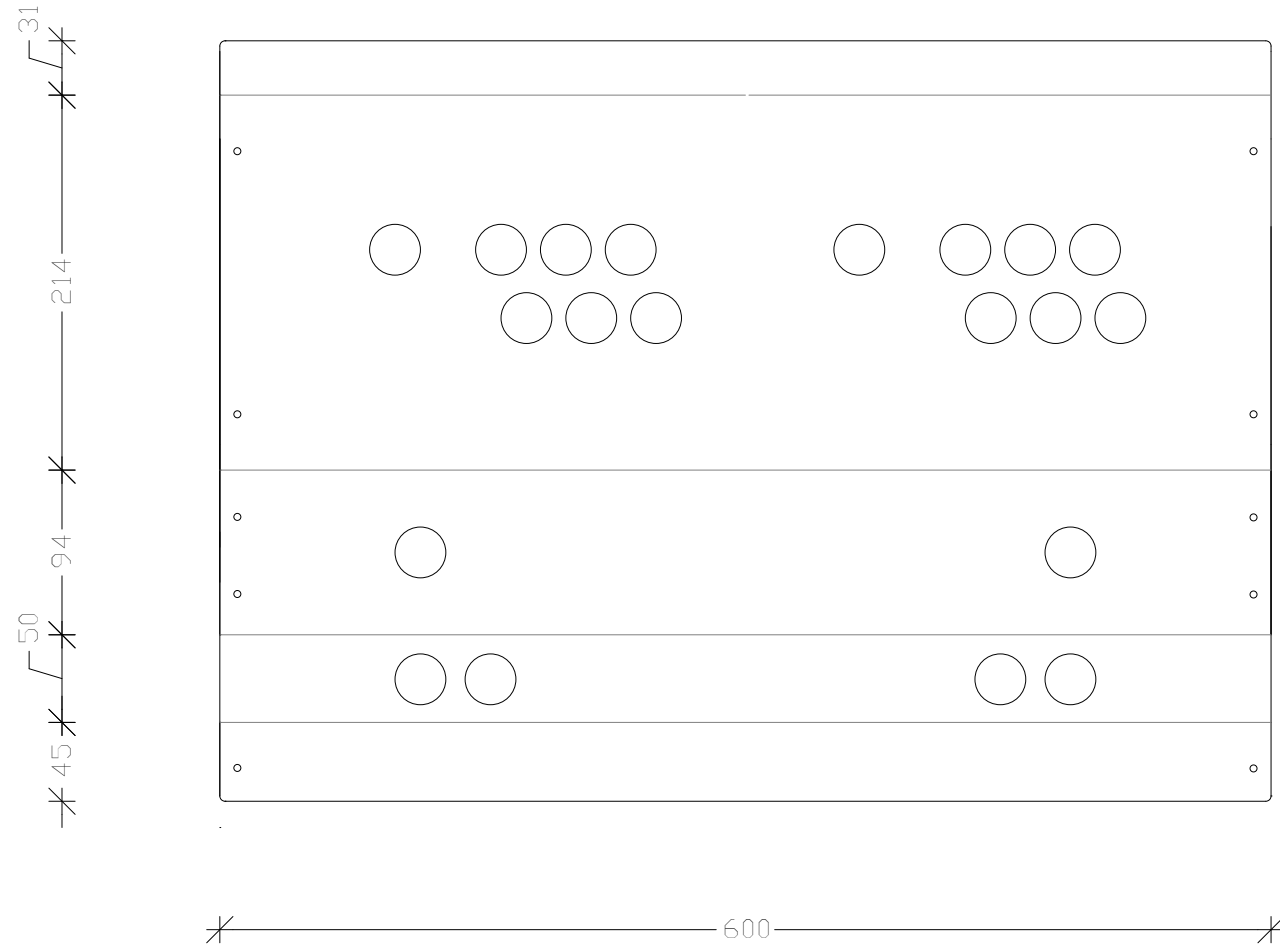


TaitoRama Control Panel v. 1.00

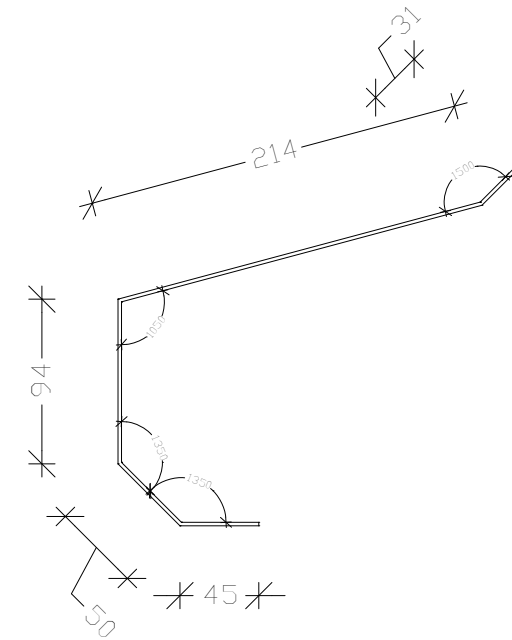
Rasmus Kønig Sørensen - www.Koenigs.dk - Project MAME homepage

1

2 mm steel/stainless Steel



3 Bending



2

3-5 mm lexan/plexi

